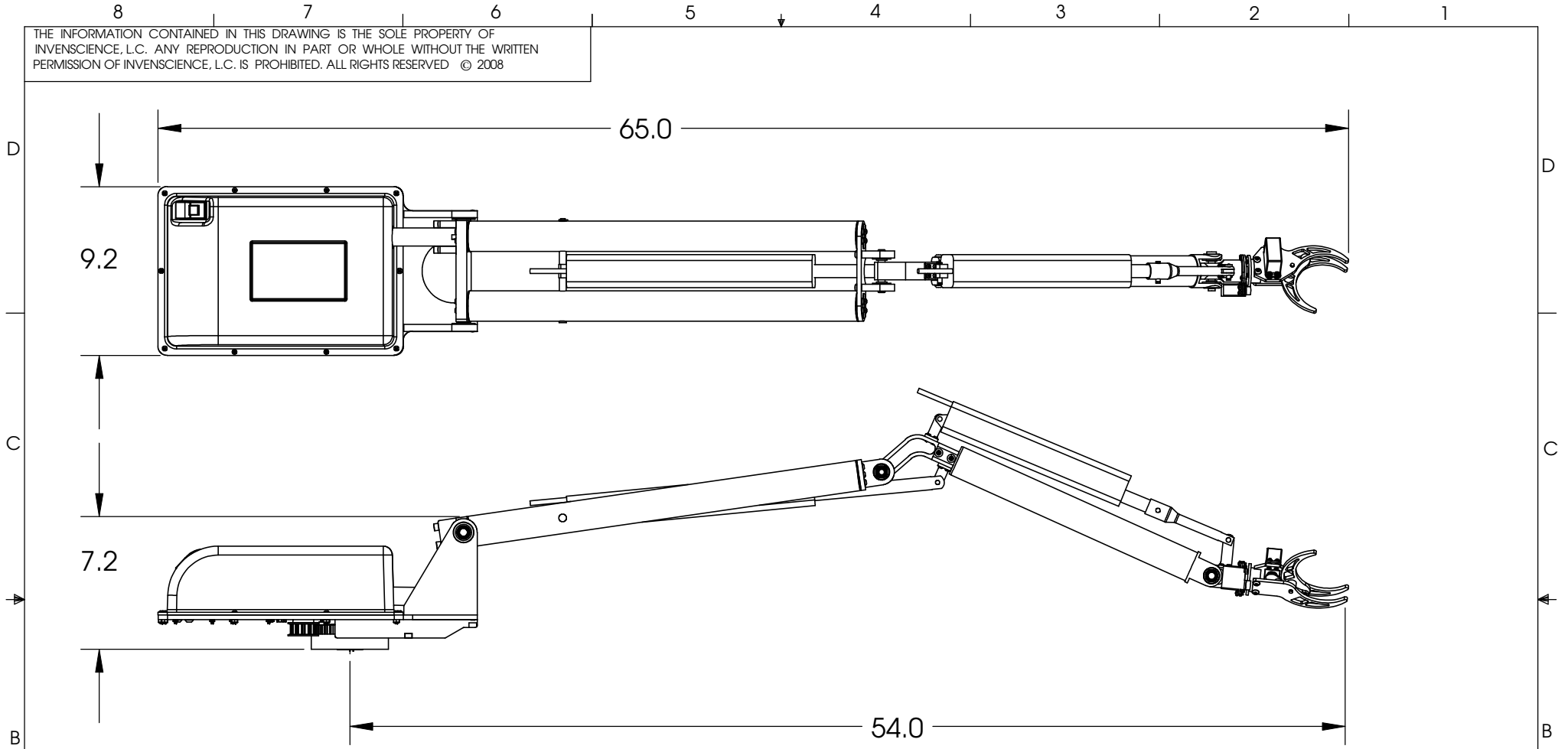


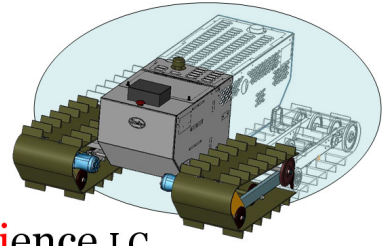
THE INFORMATION CONTAINED IN THIS DRAWING IS THE SOLE PROPERTY OF INVENSIENCE, L.C. ANY REPRODUCTION IN PART OR WHOLE WITHOUT THE WRITTEN PERMISSION OF INVENSIENCE, L.C. IS PROHIBITED. ALL RIGHTS RESERVED © 2008



NOTES:

1. INTERPRET PER ASME Y14.41-2003. THIS DRAWING SHALL BE USED WITH MODEL OF THE SAME NAME FOR COMPLETE PRODUCT DEFINITION.

UNLESS OTHERWISE SPECIFIED DIMENSIONS ARE IN INCHES TOLERANCES ARE: FRACTIONS DECIMALS ANGLES X.X ± 0.2 IN X ± 2.0 X.XX ± 0.020 IN X.X ± 0.5 X.XXX ± 0.005 IN X.XX ± 0.1	APPROVALS DRAWN	DATE 7/10/2008
	CHECKED	
	COG ENG	7/10/2008
	MATERIAL SEE BOM	
FINISH N/A	QA	
DO NOT SCALE DRAWING	RELEASED	



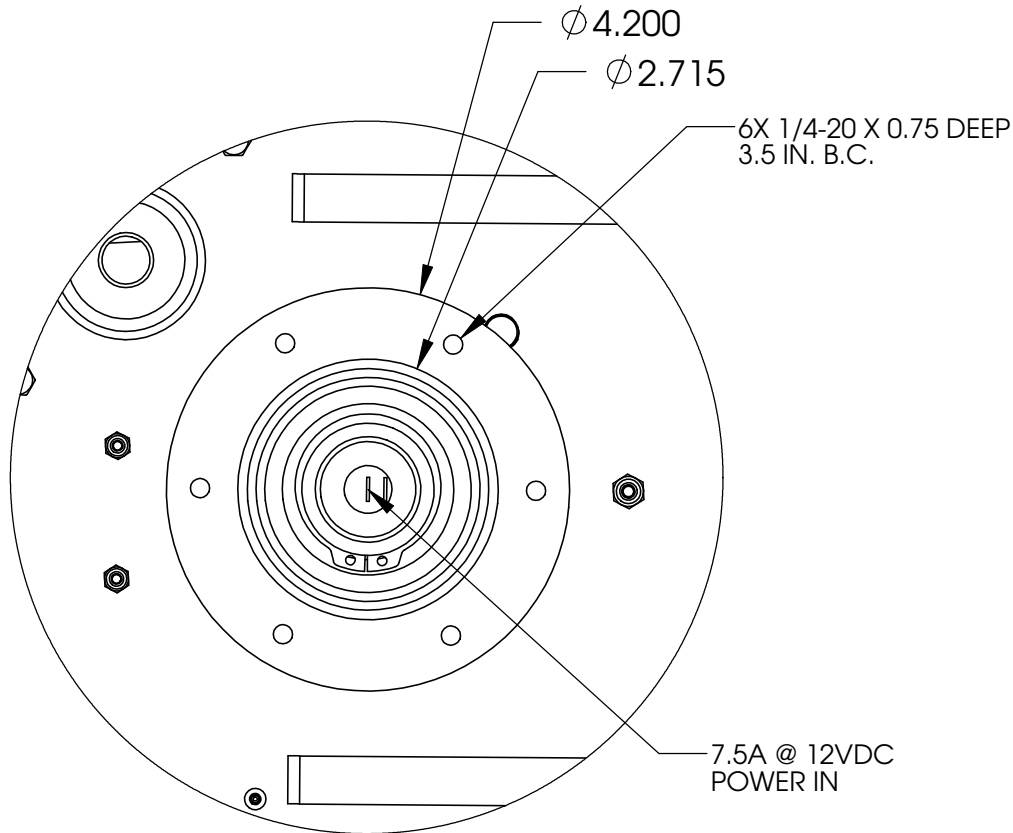
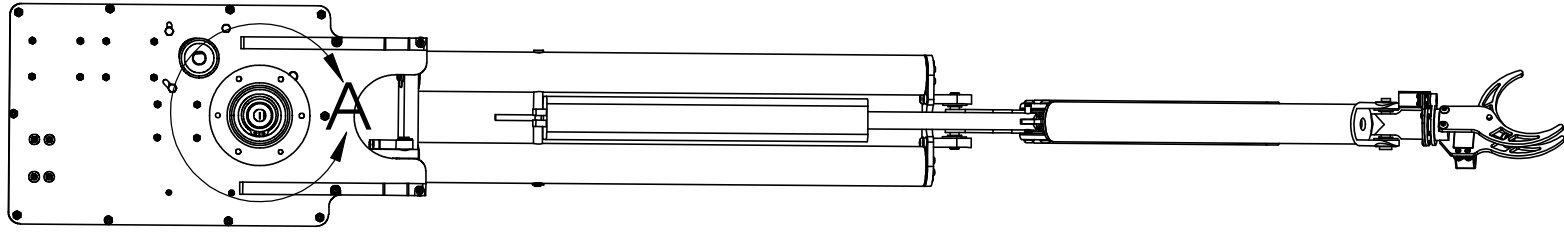
Invenscience LC

The science of invention

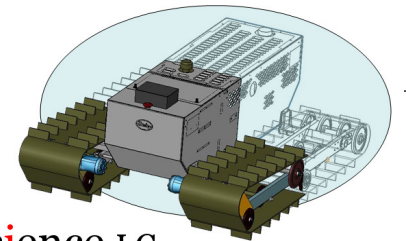
ICD, A.R.M.

SIZE A	DWG. NO. i00468.ICD_ARM	REV. 01
SCALE 1:8		SHEET 1 OF 2

THE INFORMATION CONTAINED IN THIS DRAWING IS THE SOLE PROPERTY OF INVENSICENCE, L. C. ANY REPRODUCTION IN PART OR WHOLE WITHOUT THE WRITTEN PERMISSION OF INVENSICENCE, L. C. IS PROHIBITED. ALL RIGHTS RESERVED © 2008



DETAIL A
SCALE 1:2



Invenscience LC

The science of invention

ICD, A.R.M.

SIZE A	DWG. NO. i00468.ICD_ARM
DO NOT SCALE DRAWING	
SCALE 1:8	SHEET 2 OF 2