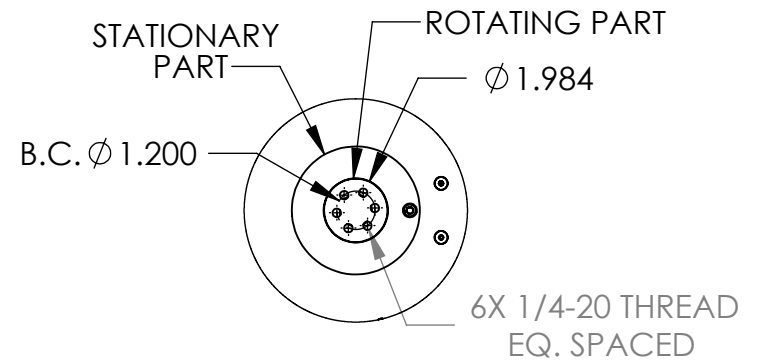
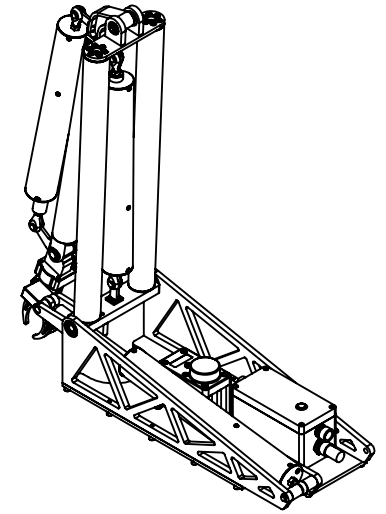
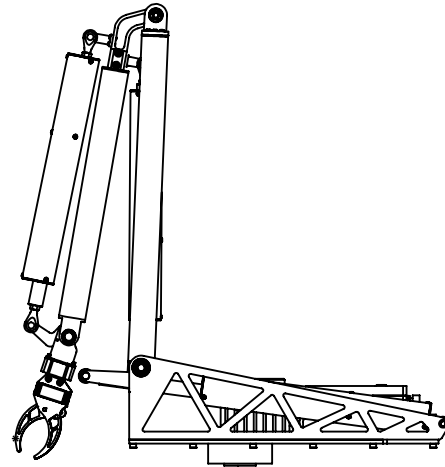
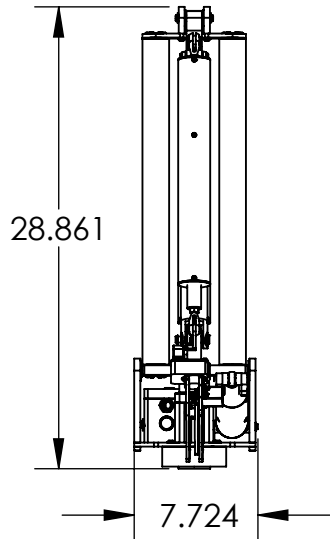
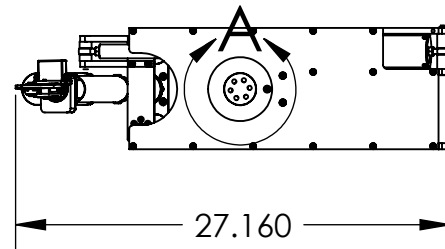


THE INFORMATION CONTAINED IN THIS DRAWING IS THE SOLE PROPERTY OF INVESCENCE, L.C. ANY REPRODUCTION IN PART OR WHOLE WITHOUT THE WRITTEN PERMISSION OF INVESCENCE, L.C. IS PROHIBITED. ALL RIGHTS RESERVED © 2010

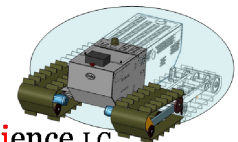


DETAIL A
SCALE 1 : 6



- NOTES:**
1. INTERPRET PER ASME Y14.41-2003. THIS DRAWING SHALL BE USED WITH MODEL OF THE SAME NAME FOR COMPLETE PRODUCT DEFINITION.

UNLESS OTHERWISE SPECIFIED DIMENSIONS ARE IN INCHES TOLERANCES ARE: FRACTIONS DECIMALS ANGLES X.X ± 0.2 IN X ± 2.0 X.XX ± 0.020 IN X.X ± 0.5 X.XXX ± 0.005 IN X.XX ± 0.1	APPROVALS	DATE
	DRAWN DENNIS OLSEN	4/1/2011
	CHECKED	
	COG ENG	4/1/2011
MATERIAL N/A		
FINISH N/A	QA	
DO NOT SCALE DRAWING	RELEASED	

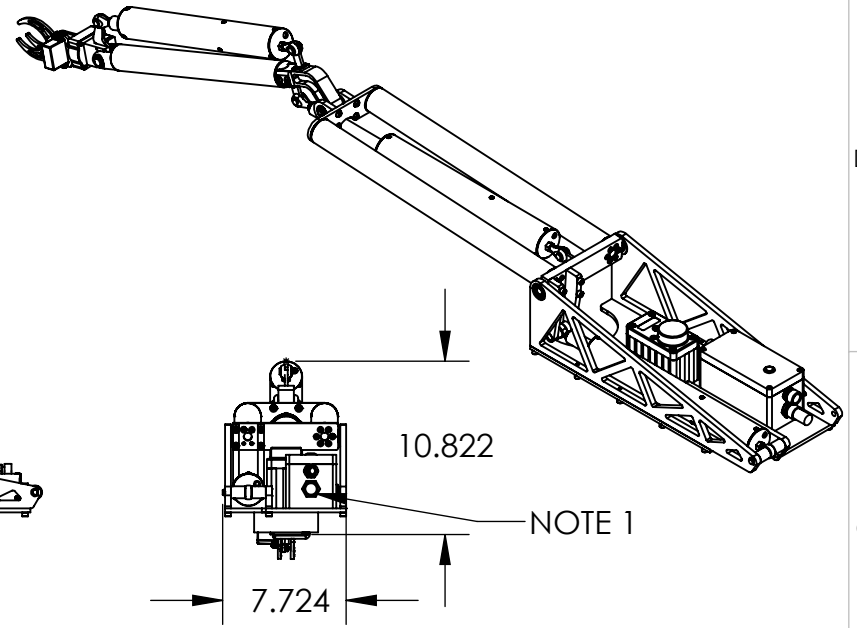
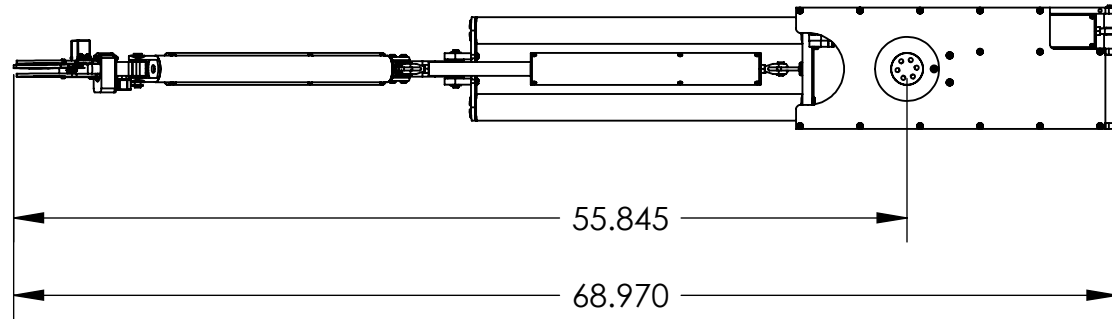
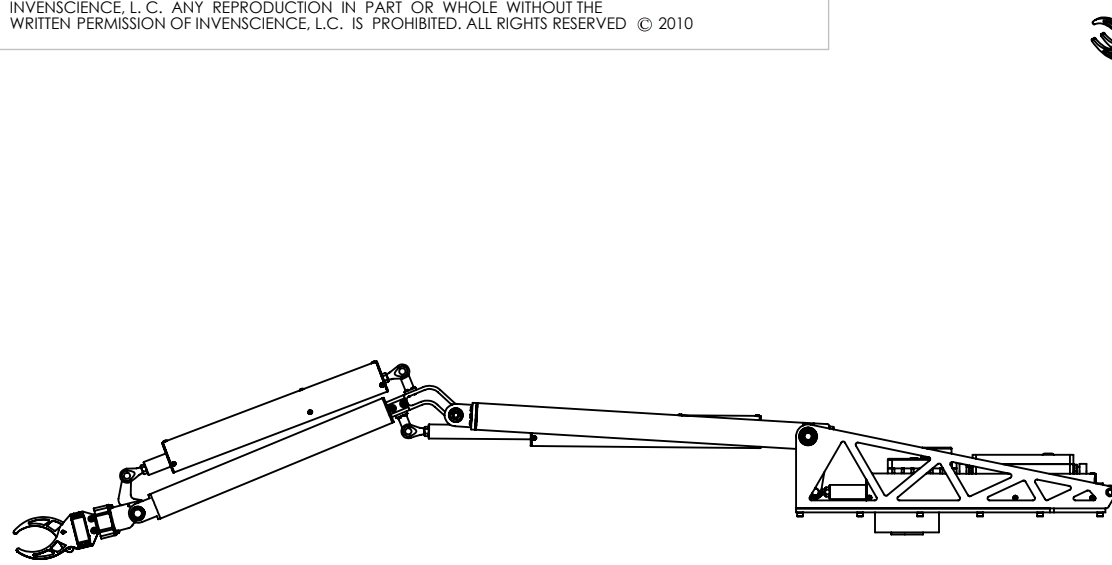


Invescence LC

The science of invention

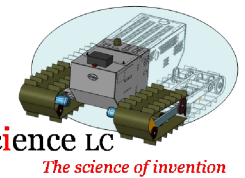
CAGE CODE		54FP9
INTERFACE CONTROL DOCUMENT, ARM 2.0		
SIZE A	DWG. NO. i01319.ICD_ARM_2.0	REV. 02
SCALE 1:24	SHEET 1 OF 2	

THE INFORMATION CONTAINED IN THIS DRAWING IS THE SOLE PROPERTY OF INVENSIENCE, L.C. ANY REPRODUCTION IN PART OR WHOLE WITHOUT THE WRITTEN PERMISSION OF INVENSIENCE, L.C. IS PROHIBITED. ALL RIGHTS RESERVED © 2010



NOTES:

1. SEE TABLE FOR MATING POWER CONNECTOR AND CORRESPONDING PINOUT.



CAGE CODE		54FP9
INTERFACE CONTROL DOCUMENT, ARM 2.0		
SIZE A	DWG. NO. i01319.ICD_ARM_2.0	
SCALE 1:2		SHEET 2 OF 2

DO NOT SCALE DRAWING